

**TMTP**



**USE:**

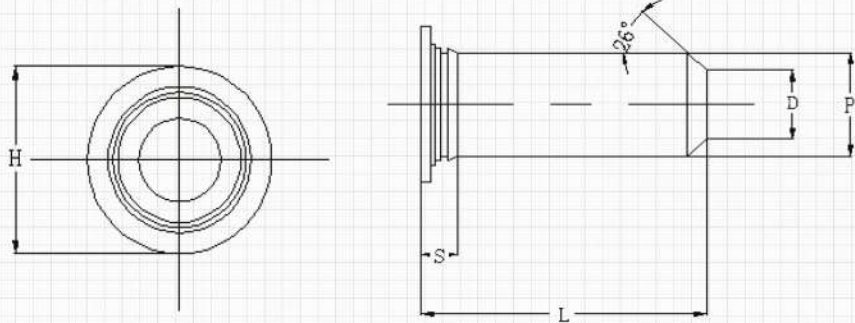
TMTP, pressing into steel sheet of max. hardness HRB 70

**Order Examples:**

TMTP-4MM-8, diameter 4mm, total length 8mm, stainless steel A2 serie 300

**IMPORTANT NOTES**

- All stated dimensions are in mm
- Data modification reserved without prior notice



| Thread spec. | Length L +/-0.4 |    |    |    |    | Dia-<br>meter P+/-<br>0.05 | Min.<br>steel thick-<br>ness | Hole size<br>in steel<br>sheet<br>+0.08 | Dia-<br>meter D<br>+/-0.15 | Dia-<br>meter H<br>+/-0.4 | S max | Min. dist.<br>hole to<br>edge |
|--------------|-----------------|----|----|----|----|----------------------------|------------------------------|---|----------------------------|---------------------------|-------|-------------------------------|
|              | 8               | 10 | 12 | 16 | NA |                            |                              |   |                            |                           |       |                               |
| 3mm          | 8               | 10 | 12 | 16 | NA | 3                          | 1                            | 3.5                                     | 2.05                       | 5.2                       | 2.3   | 6.4                           |
| 4mm          | 8               | 10 | 12 | 16 | NA | 4                          | 1                            | 4.5                                     | 2.82                       | 6.12                      | 2.3   | 7.1                           |
| 5mm          | NA              | 10 | 12 | 16 | 20 | 5                          | 1                            | 5.5                                     | 3.53                       | 7.19                      | 2.3   | 7.6                           |
| 6mm          | NA              | NA | 12 | 16 | 20 | 6                          | 1                            | 6.5                                     | 4.24                       | 8.13                      | 2.3   | 7.9                           |